

FLOW AND LEVEL MEASUREMENT



ACRYLIC BODY ROTAMETER



MODEL & RANGE SPECIFICATION				DIMENSIONAL DETAIL		Maximum Pressure Rating
MODEL No.		Maximum Flow Rate		Connection BSP 'F'	CC Distance	
		LPM AIR	LPH WATER			
MFPN-1	MFPP-1	50	100	1/4"	114	2kg/cm ²
MFPN-2	MFPP-2	150	250	1/4"	110	
MFPN-3	MFPP-3	100	500	1/4"	159	
MFPN-4	MFPP-4	500	1000	1/2"	200	3kg/cm ²
MFPN-5	MFPP-5	1400	2500	3/4"	194	

TECHNICAL SPECIFICATION

Meter Body	Crystal Clear Acrylic
Float	SS-316/PTFE/PVC etc
Scale	Engraved on Meter
Connection	Body Rear BSP/NPT 'M' or 'F'
Rated Temp.	60°C
Accuracy	± 3% on Full Scale
Repeatability	0.5%'
Range ability	10:1

MFPN

ACRYLIC BODY ROTAMETER



MODEL & RANGE SPECIFICATION			DIMENSIONAL DETAIL		Maximum Pressure Rating
MODEL No.	Maximum Flow Rate		Connection		
	LPM AIR	LPH WATER	BSP 'F' / Flanged	CC Distance Threaded / Flanged	
MFPT-1	50	100	1/4"	190 NA	2kg/cm ²
MFPT-2	150	250	1/4" & 1/2"	190 NA	
MFPT-3	100	150	1/4"	240 NA	
MFPT-4	600	1200	1/2"	250 275	5kg/cm ²
MFPT-5	1500	2500	3/4"	250 275	
MFPT-6	2500	6000	1" & 1 1/2"	300 325	
MFPT-7	3000	8000	1" & 1 1/2"	400 450	15kg/cm ²
MFPT-8	8000	15000	1 1/2" & 2"	400 450	
MFPT-9	NA	20000	1 1/2" & 2"	400 450	
MFPT-10	NA	40000	2" & 2 1/2"	NA 450	
MFPT-11	NA	50000	2 1/2" & 3"	NA 450	
MFPT-12	NA	80000	4"	NA 450	

TECHNICAL SPECIFICATION

Meter Body	Crystal Clear Acrylic	Rated Temp.	60° C
Float	SS-316/PTFE/PVC etc	Accuracy	±2% on Full Scale
Scale	Engraved on Meter Body	Repeatability	0.5%'
Connection	Top & Bottom Flanged or Threaded	Range ability	10:1

GLASS TUBE ROTAMETER



MODEL & RANGE SPECIFICATION			DIMENSIONAL DETAIL				Maximum Pressure Rating kg/cm ²	Maximum Pressure Drop (mmwc)
MODEL No.	Maximum Flow Rate (At Ambient Temp)		Connection		CC Distance			
	LPM AIR	NM ³ /HR AIR	Screwed / Flanged	Threaded	Flanged	Rear		
MFGT-1	600	20	1/2" to 1"	425	500	440	20	300
MFGT-2	3000	80	1" to 2"	425	500	440	12	600
MFGT-3	5000	150	1" to 2"	425	500	440	9	650
MFGT-4	10000	300	1 1/2" to 3"	450	500	500	7	850
MFGT-5	20000	NA	2 to 3"	NA	500	500	5	1000
MFGT-6	30000	NA	2" to 4"	NA	500	500	5	1100
MFGT-1M	600	18	1/2" to 1"	300	350	325	20	300
MFGT-2M	3000	80	1/2" to 1 1/2"	300	350	325	12	600
MFGT-3M	5000	150	1" to 2"	300	350	325	9	650

TECHNICAL SPECIFICATION

Meter Body	M.S. Powder Coated / SS-304	Rated Temp.	200°C
Tube	Borosilicate Glass	Accuracy	±2% on Full Scale
Float	SS-316/PTFE/PVC/Monel etc	Repeatability	0.5%
Scale	Aluminum / SS-304	Range ability	10:1
Connection	Top & Bottom Flanged or Threaded / Rear	Accessories	Hi - Low Flow Switch

METAL TUBE ROTAMETER



Model No.	Maximum Flow M ³ HR. Water	Connection Flanged	CC Distance
MFMT-1	5	1/2" to 1"	350 mm
MFMT-2	10	1 1/2" to 2"	350 mm
MFMT-3	20	2 to 2 1/2"	350 mm
MFMT-4	30	2 1/2" to 3"	350 mm
MFMT-5	50	3" to 4"	350 mm
MFMT-6	60	4"	350 mm
	100	4"	500 mm

Model No.	Maximum Flow M ³ HR. Water	Connection Flanged	CC Distance
MFMT-7	130	5"	500 mm
MFMT-8	180	6"	500 mm
MFMT-9	200	8"	500 mm
MFMT-1M	2	1/2" to 1"	250 mm
MFMT-2M	5	1 to 1 1/2"	250 mm
MFMT-3M	10	1 1/2" to 2"	250 mm
MFMT-4M	20	1 1/2" to 2"	250 mm

TECHNICAL SPECIFICATION

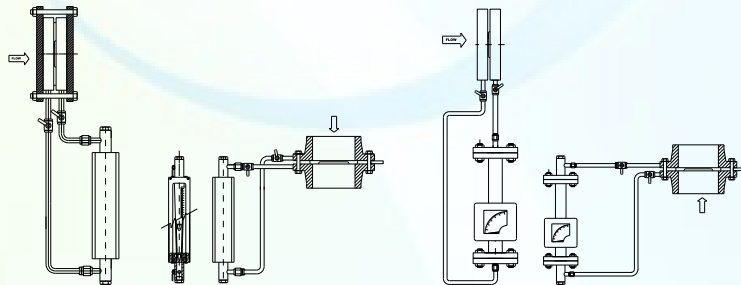
Meter Body	Metalic (SS-316L / SS-316 / SS-304)	Rated Pressure	40 Bar
Float	SS-316L / SS-316 / PTFE	Accuracy	±2% on Full Scale
Scale	Aluminium / SS-304 / White Acrylic	Repeatability	0.5%
Connection	Top & Bottom Flanged or Threaded	Range ability	10:1
Indicator Housing	ABS Plastic, Cast Aluminium	Accessories	Hi - Low Flow Switch
Rated Temp.	250°C		



BYPASS ROTAMETER

TECHNICAL SPECIFICATION

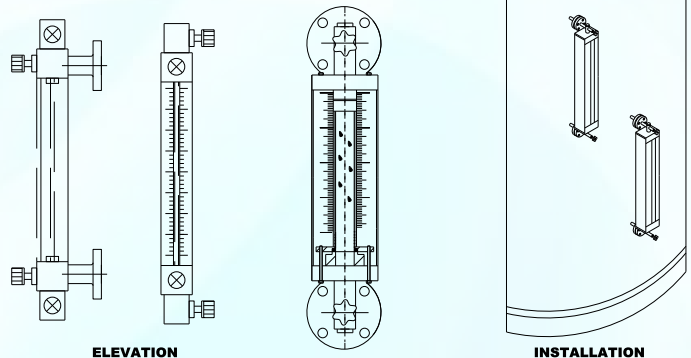
Meter Type	Glass Tube Rotameter / Metal Tube Rotameter
Carrier Ring/Orifice Flange	SS-316/ SS-304/ MS/ PP
Bypass Line	SS-316/ SS-304/ MS / PVC
Type of Tapping Connection	On Flange, D and D/2, corner
Installation	Top & Bottom Flanged or Threaded / Rear Vertical Upward & Downward / Horizontal Left to Right & Right to Left
Range ability	7:1 to 5:1
Accessories	Hi - Low Flow Switch
Accuracy	±2% on Full Scale



TUBULAR LEVEL INDICATOR

TECHNICAL SPECIFICATION

Indicator Body	SS-316 / SS-304 / MS/PP
Tube	Borosilicate Glass
Application	Water / Liquid / Chemical
Scale	Aluminium / SS-304 / PP
Mounting	Side / Rear
Connection	Rear Flanged / Screwed
Rated Temp.	150°C
Rated Pressure	10 kg/cm ²
Drain & Vent	Plug / Valve
Control Valve	SS-316 / SS-304 / MS / PP



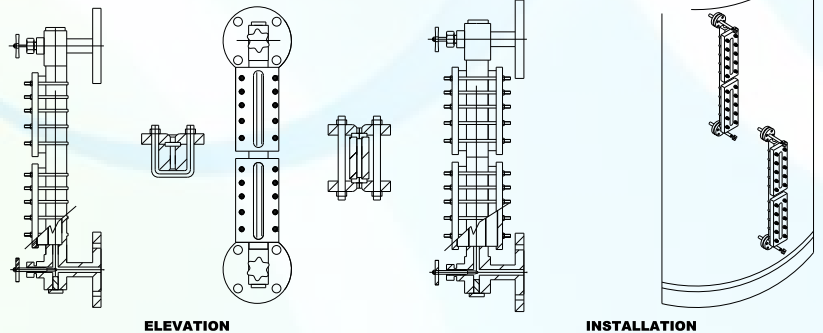
REFLEX / TRANSPARENT LEVEL INDICATOR

TECHNICAL SPECIFICATION



Indicator Body
Tube
Application
Cover plate
Mounting
Connection
Rated Temp.
Rated Pressure
Drain & Vent
Control Valve

SS-316 / SS-304 / MS
Toughened Borosilicate Glass
Water / Liquid / Chemical
SS-316/SS-304/MS
Side / Rear
Rear Flanged / Screwed
250°C
40 kg/cm²
Plug / Valve
SS-316 / SS-304 / MS



ELEVATION

INSTALLATION

FLOAT & BOARD TYPE LEVEL INDICATOR

TECHNICAL SPECIFICATION

Indicator	SS-316 / SS-304 / MS / PP
Scale	Aluminum / MS Powder Coated
Fittings	SS-316 / SS-304 / MS / PP
Float	SS-316 / PP
Application	Water / Liquid / Chemicals, Solvent, HCL etc
Mounting	Side on Tank
Connection	Flanged
Float Guide	On Anchor Plate (Optional)

FEATURES

1. Clear Visibility
2. Powder Coated Screen Printed Scale Board
3. Less corrosion powder coated finish
4. Easy Movement of Indicator
5. Dust Free Housing for pulleys
6. Use full to indicate the level of very big high tanks



SIGHT GLASS FLOW INDICATOR



TECHNICAL SPECIFICATION

Type	Double Window	Type	Full View
Glass	Borosilicate Glass	Glass	Borosilicate Glass with Flare end
Sealing	CAF / PTFE / METALLIC / GRAPHITE / SPIRAL WOUND	Packing	PTFE
Cushion	CAF / PTFE / METALLIC / GRAPHITE / SPIRAL WOUND	CC Distance	150 mm
End Connection	Flanged / Screwed	End Connection	Flanged
MOC	SS-316L / SS-316 / SS-304 / M.S.	MOC	SS-316L / SS-316 / SS-304 / M.S. / PP
CC Distance	Refer below table		

Detail for Double Window Sight Glass

Line Size (NB)	15	20	25	40	50	65	80	100
CC Distance	160 mm	160 mm	160 mm	200 mm	230 mm	310 mm	310 mm	350 mm
Visibility	38 mm	38 mm	38 mm	50 mm	65 mm	96 mm	96 mm	150 mm

ELECTRO MAGNETIC FLOW METER



Media	Liquids (Clear)	Accuracy	±5% on Full Scale
Viscosity	200 cp max	Repeatability	±1%
Line Size	15 NB to 300 NB	Rated Temperature	150o C
Excitation	Pulsed DC coil	Rated Pressure	10 kg/cm2
Display	16 x 2 LCD, 4 digit, 0.3" Red LED for Flow Rate Indicator & 8 digit, 0.3" Red LED for Totalised Flow Indication	MOC	SS-316L, SS-316, SS-304, PTFE / RUBBER LINED
Type of output	4 to 20 mA DC, Isolated, Pulse, RS 485 communication port	Power Supply	230 V AC, 50 Hz + 10%
Calibration Range	Factory Calibrated	Mounting	In-Line (Horizontal or Vertical)
		Operating Condition	Temperature 0 to 55°C / Humidity 5 to 95% non condensing

Line Size (NB)	15	20	25	50	65	80	100	150	200	300
Flow Range (M ³ /HR)	0 to 4.2	0 to 6	0 to 11	0 to 44	0 to 70	0 to 175	0 to 400	0 to 625	0 to 1000	0 to 1500
CC Distance	152	152	202	202	332	332	450	450	450	480

TURBINE FLOW METER



Media	Liquids (Clear)	Repeatability	±1%
Viscosity	100 cp max	Rated Temperature	150o C
Line Size	15 NB to 150 NB	Rated Pressure	30 kg/cm2
Pick off type	Magnetic sensor	MOC	SS-316L, SS-316, SS-304, PTFE / RUBBER LINED
Display	8 x 1 LCD / 4 x 1 LED / 8 x 1 LED	Rotor	SS-410 / SS - 410 teflon coated
Type of output	4 to 20 mA DC, 2 wire/Pulse	Power Supply	230 V AC, 50 Hz + 10%
Calibration Range	30 mV (one at a time)	Mounting	In-Line (Horizontal or Vertical)
Accuracy	Factory Calibrated ±2% on Full Scale	Operating Condition	Temperature 0 to 55o C / Humidity 5 to 95% non condensing

Line Size (NB)	15	20	25	40	50	80	100	150
Flow Range (M3/HR)	0.2 to 2.2	0.6 to 6	1 to 10	2.5 to 25	4.5 to 45	9 to 90	18 to 180	35 to 350
CC Distance	175 / 208	175 / 210	175 / 213	175 / 220	175 / 238	238 / 250	250	250 / 275

SIDE MOUNTED MAGNETIC LEVEL SWITCH



LIQUID LEVEL SWITCHES

The range is widespread and meets various industry applications catering to all type of operating conditions. The switches can have miniature floats, vertical or horizontal mounting operating in single and multiple liquid levels. Side Mounted Magnetic Level Switch As the liquid level in the tank changes, a horizontal magnetic float moves about a fulcrum in accordance with the level. The micro switch contracts (NO/NC) are accordingly activated providing an output for further industry processing.

APPLICATION

- 1) High / Low level Alarm
- 2) Automatic Pump/Valve control
- 3) Elimination of tank over flow
- 4) Enhances pump safety against dry running

FEATURES

Temperature	Upto 300°C
Pressure	Upto 75KG/CM2
MOC	SS 304, SS 316, SS 316L, PP, PVC
Connection	Flanges End/Scrwed

TOP MOUNTED MAGNETIC LEVEL SWITCH



A magnetic float moves up and down on probe immersed in a liquid. The float energizes the hermitically sealed sensors, which change from NO to NC otherwise as the float-passes them.

APPLICATION

- 1) Versatile System Contact Points can be Changed in accordance with process necessity
- 2) Less Wear & Tear-Easy on Maintenance
- 3) Inter linking liquid level in parallel tanks
- 4) External cage to be provided

FEATURES

Standard Range	200 mm to 2000mm
Temperature	Upto 200°C
Pressure	Upto 20 KG/CM2
MOC	SS 304, SS316,SS 316L, PP
Connection	Flanges End/Scrwed

WATER METER



A multijet dry & removable mechanism type Water Meter with magnetic drive and vacuum sealed register.

APPLICATION

Meter Suitable for use to measure the total flow of water passing through pipeline in waterworks, mining and industrial enterprises.

FEATURES

- 1) Leak proof and sealed totaliser
- 2) Magnetic drive
- 3) Repairable without interrupting water supply
- 4) Removable mechanism ensures easy maintenance
- 5) Totaliser protected by metallic cover
- 6) Reliable sensitive metrology and low pressure loss
- 7) Remote reading facility/pulse output available on request

STANDARDS

Conforms to ISO 4064, Class-B



ADITYA TECHZONE

Plot No. 250, IMT, SECTOR - 68, Faridabad-121004

Phone : 8588862601, 8588862602, 9958639101

E-mail : adityatechzone@gmail.com, info@adityatechzone.com

Website : www.adityatechzone.com